

ASL 250 SERIES

AUTOMATIC SLIDING DOOR



www.talbotautodoors.com.au

Heavy Duty Reliability

The ASL250 series automatic door system is an affordable, reliable & intelligent door system, perfect for a wide range of commercial applications. Capable of working with door leaves up to 300Kg

Call us now for a
Quote
1300 560 608



Features

The ASL-250 sliding door system has been independently tested by NATA to 1 Million cycles and is fully accredited to AS5007-2007. With a wide range of compatible activation and safety features this system is perfect for any commercial auto door application.



Quality Components

Highly efficient long life and high torque brushless DC motor alongside an intelligent microprocessor that automatically detects door weight and adjusts accordingly to ensure smooth door operation.

Intelligent safety

All ASL sliding doors come standard with a dedicated fire signal input as well as obstruction sensitivity. Combining these features with infrared presence sensors make this one of the safest doors on the market

Full Glazing service

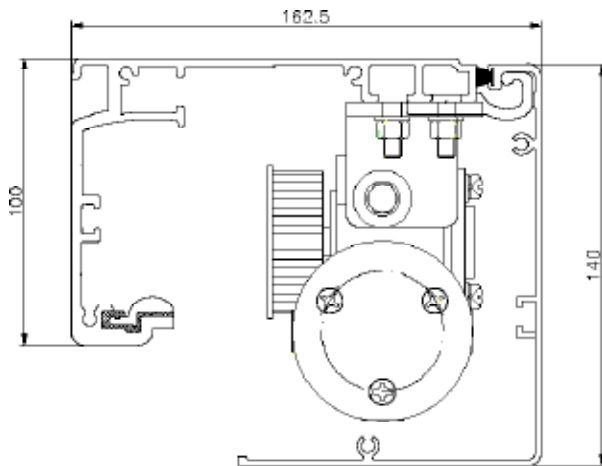
Our in house fabrication & glazing team are able to provide everything from framed or frameless door leaves to full shopfronts

Why Choose Us

- Australian owned & operated
- innovative solutions designed on a project by project basis
- Proven reliability with up to 10 year warranty on our motors and controllers
- Franchise network of highly skilled and knowledgeable installers

Technical Specifications

Door operating speed	0.3 - 0.5m/s Adjustable
Door leaf weight	300kg
Manual open/close force	<100N
Operator noise	<55Db
Working Voltage	240V 50 - 60 Hz
Motor	24v 100W (Brushless)
Dimensions	140mm x 162.5mm



Key Features

- Our door range uses cutting edge technology with a unique microprocessor system which can rapidly and accurately detect the door size and weight; and set the best operation parameters to make sure the door operates smoothly
- Long life, high torque brushless DC motor drive system. The helical gear transmission ensures stable and reliable operation with continued use on heavy door leaves
- Interlocking option which prevents doors in an airlock situation from opening until the other door has fully closed.
- Obstruction sensitivity - if when closing it meets an obstruction the doors will automatically re-open as per the AS 5007-2007. When the power is off, the doors are easily manually opened or closed.
- Includes provision for BMS and fire signal link
- Available in anodised aluminium or powdercoated finishes

